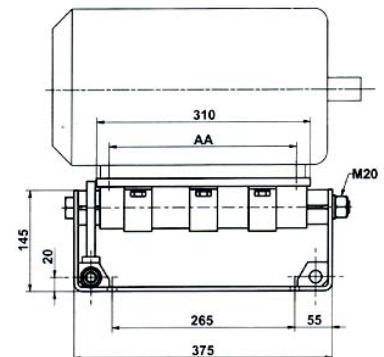
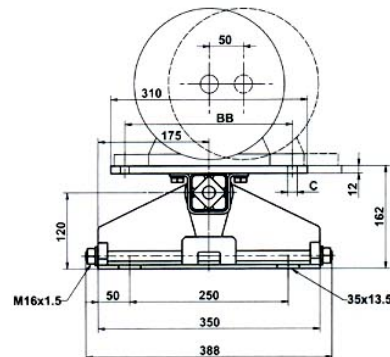
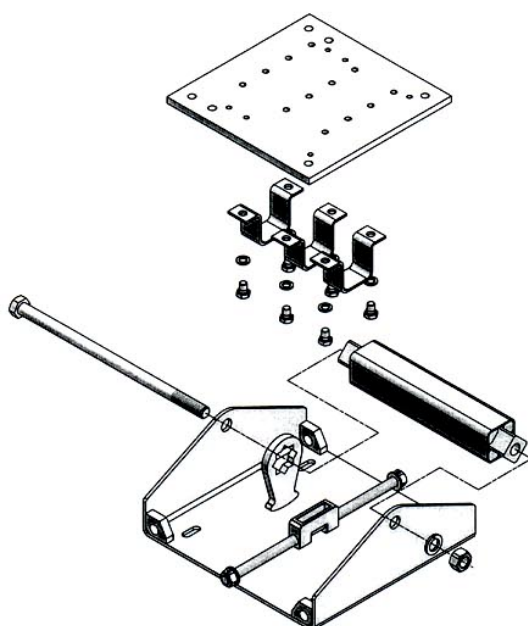


## Motorbase

## Type MB 38



Art.-No.	Type	Motor Frame size	1000 min <sup>-1</sup> kW	1500 min <sup>-1</sup> kW	3000 min <sup>-1</sup> kW	AA	BB	C	Weight in kg
02 000 301	MB 38 x 300	D 132S	3	5.5	5.5-7.5	140	216	M10	26
		D 132M	4-5.5	7.5	-	178	216	M10	
		D 160M	7.5	11	11-15	210	254	Ø13	
		D 160L	11	15	18.5	254	254	Ø13	



### The self-tensioning ROSTA Motorbase type MB 38

- without slippage
- overload proof
- belt protecting
- vibration dampening
- maintenance-free
- cost efficient

**for all friction-belt transmissions.**