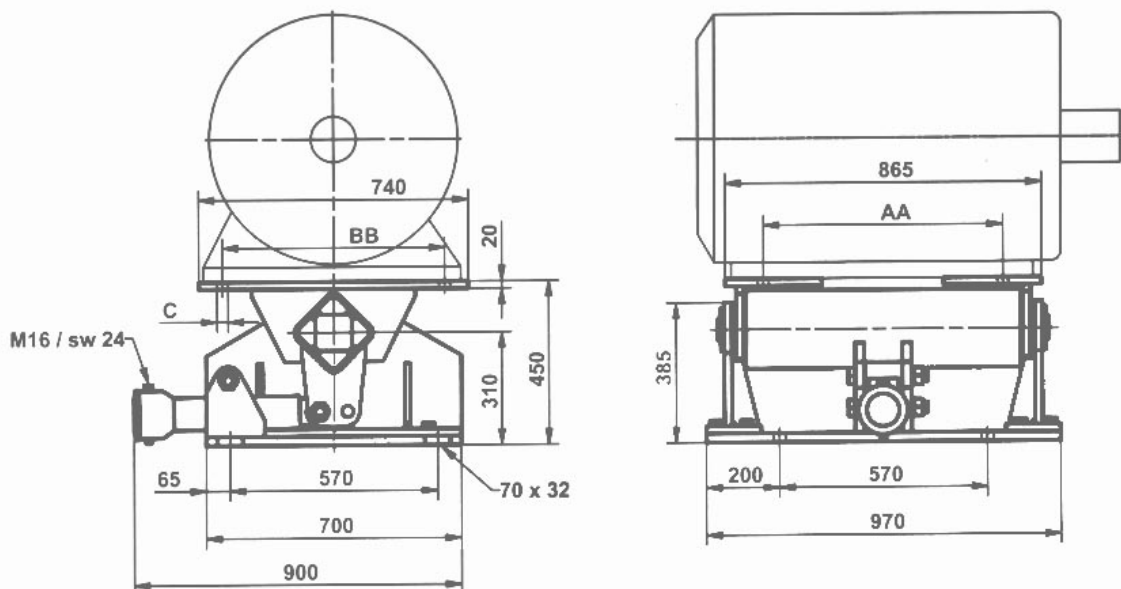


Elastic motorbase for belt drives

Type MB 100



| Art.-No. | Type | Motor Frame size | 1000 min ⁻¹ kW | 1500 min ⁻¹ kW | 3000 min ⁻¹ kW | AA | BB | C | Weight in kg |
|------------|--------------|---------------------|------------------------------|------------------------------|------------------------------|-----|-----|------|-----------------|
| 02 200 900 | MB 100 x 750 | D 315M | 90 | 132 | 132 | 457 | 508 | Ø 28 | 490 |
| | | D 315L | 110 - 160 | 160 - 200 | 160 - 200 | 508 | 508 | Ø 28 | |
| | | D 355S | 132 - 160 | 200 - 250 | 200 | 500 | 610 | Ø 28 | |
| | | D 355M | 200 - 250 | - | 250 | 560 | 610 | Ø 28 | |
| | | D 355L | 160 - 250 | 250 | 250 | 630 | 610 | Ø 28 | |