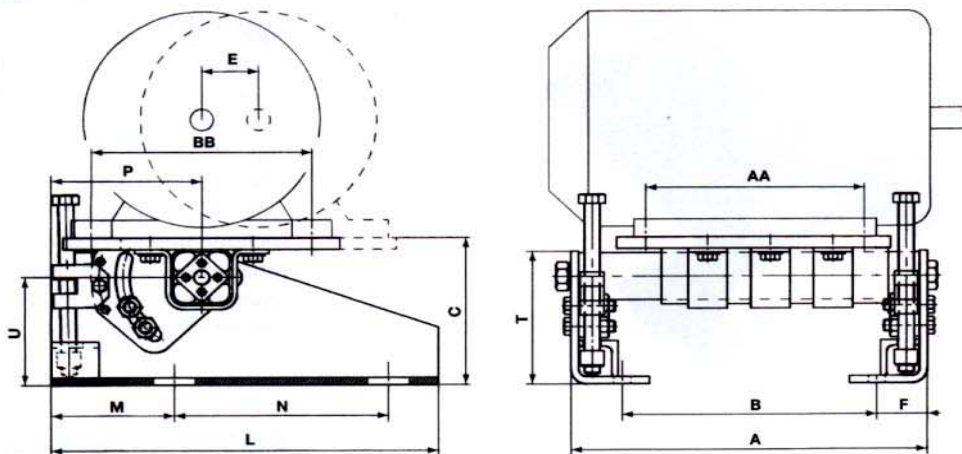


## Motorbase

## Type MB 50

**Selection of base dimension:  
according to relevant  
motor frame size**



Motorbase Type	Frame size	1000 min <sup>-1</sup> kW	1500 min <sup>-1</sup> kW	3000 min <sup>-1</sup> kW	AA	BB
MB 50 x 160	D 132S	3	5.5	5.5-7.5	140	216
	D 132M	4-5.5	7.5	-	178	216
MB 50 x 200	D 160M	7.5	11	11-15	210	254
	D 160L	11	15	18.5	254	254
MB 50 x 270	D 180M	-	18.5	22	241	279
	D 180L	15	22	-	279	279
MB 50 x 400	D 200L	18.5-22	30	30-37	305	318
	D 225S	-	37	-	286	356
MB 50 x 500	D 225M	30	45	45	311	356

### Overall Dimensions

(Details see pages 99-101 "Assembling Kits")

Motorbase Type	Dimensions in mm										
	A	B	C	E*	F	L	M	N	P	T	U
MB 50 x 160	355	225	204	43	65	490	155	272	190	185	150
MB 50 x 200	455	325	204	45	65	490	155	272	190	185	150
MB 50 x 270	455	325	204	72	65	490	155	272	190	185	150
MB 50 x 400	555	425	204	72	65	490	155	272	190	185	150
MB 50 x 500	605	475	204	72	65	490	155	272	190	185	150