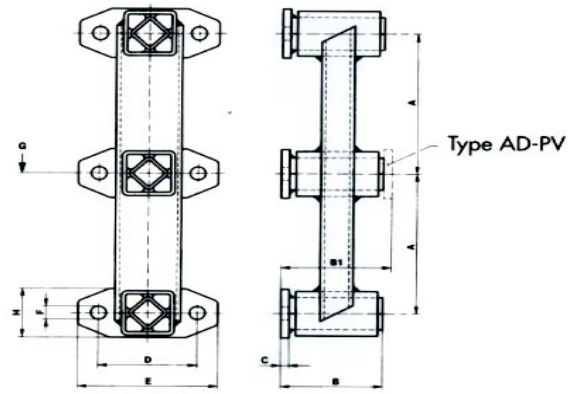


## Double Suspension

## Type AD-P



Type AD-PV with offset flanges

Art. No.	Type	G			n <sub>err</sub>	sw	c <sub>d</sub>	A	B	C	D	E	F	H	Weight in kg
		K=2	K=3	K=4											
07 111 001	AD-P 18	150	120	100	640	17	22	100	62	5	60	85	9.5	35	1.21
07 111 002	AD-P 27	300	240	200	590	21	32	120	73	5	80	110	11.5	45	2.55
07 111 003	AD-P 38	600	500	400	510	28	45	160	95	6	100	140	14	60	5.54
07 111 004	△ AD-P 45	1200	1000	800	450	35	50	200	120	8	130	180	18	70	8.51
07 111 005	△ AD-P 50	1800	1500	1200	420	44	55	250	145	10	140	190	18	80	12.90

Art. No.	Type	G			n <sub>err</sub>	sw	c <sub>d</sub>	A	B <sub>1</sub>	C	D	E	F	H	Weight in kg
		K=2	K=3	K=4											
07 121 001	AD-PV 18	150	120	100	640	17	22	100	68	5	60	85	9.5	35	1.21
07 121 002	AD-PV 27	300	240	200	590	21	32	120	80	5	80	110	11.5	45	2.55
07 121 003	AD-PV 38	600	500	400	510	28	45	160	104	6	100	140	14	60	5.54
07 121 004	△ AD-PV 45	1200	1000	800	450	35	50	200	132	8	130	180	18	70	8.51
07 121 005	△ AD-PV 50	1800	1500	1200	420	44	55	250	160	10	140	190	18	80	12.90

G = max. loading in N per suspension

K = oscillating machine factor

n<sub>err</sub> = max. frequency in min<sup>-1</sup> at ±10°, from zero ±5°

sw = max. amplitude in mm

c<sub>d</sub> = dynamic spring value in N/mm at ±5°, in frequency range 300–600 min<sup>-1</sup>

Suspensions for higher loads or asymmetric distances between centres A available on request

△ available on request

### Material Structure

Rocker arm made out of welded steel structure; inner square and fixation flange in steel.

### Guidelines for Fitting

경험에 의하면 물체와 이송 량에 따라 Oscillating mounting의 설치 각도 β는 10° - 30°이며 효율적인 성능을 얻기 위하여 Rocker arm은 Trough에 견고하고 흔들리지 않도록 설치한다. ROSTA oscillating mounting “AD-P”는 Flange mounting이며, “AD-C”는 central fixing 타입이다

