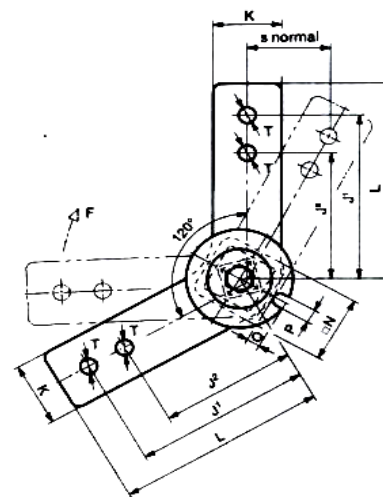
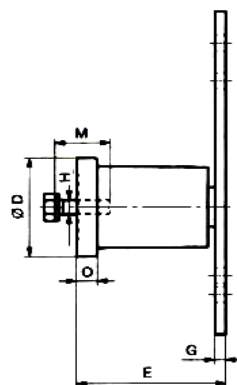
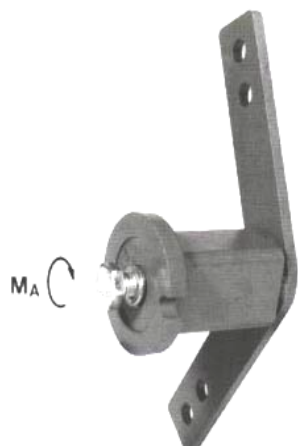


Tensioner Device

Type SE-B / KSE

ROSTA Tensioner Device Type SE-B

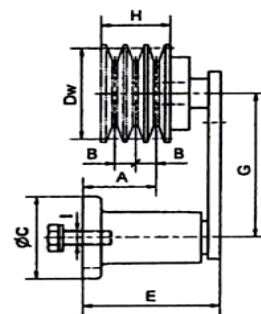
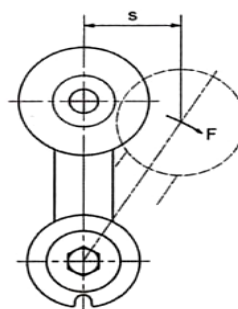


Please see table on page 37 for more technical information

Art. No.	Type	F max.* in N of position normal (J')	s max. in mm normal	Torque M _A in Nm	Weight in kg
06 021 003	SE-B 18	175	50	49	0.75
06 021 004	SE-B 27	400	65	86	2.10

*F max. in position "hard" approx. 25% higher

ROSTA V-Belt Tensioner Device Type KSE



Please see table on page 37 for more technical information

Art. No.	Type	number of grooves	max. speed n/min.	F max. in N	s max. in mm	A	B	ØC	Dw	E	G	H	I	Weight in kg
06 201 001	KSE 18-SPZ	1	10 000	350	50	42	12	58	63	79	100	28	M10	0.9
06 201 002	KSE 18-SPZ	2	10 000	350	50	48	12	58	63	79	100	35	M10	1.2
06 201 003	KSE 18-SPZ	3	10 000	350	50	42	12	58	63	79	100	40	M10	1.3
06 201 004	KSE 27-SPA	1	7 400	800	65	64	15	78	90	108	130	36	M12	2.6
06 201 005	KSE 27-SPA	2	7 400	800	65	71	15	78	90	108	130	45	M12	3.2
06 201 006	KSE 27-SPA	3	7 400	800	65	67.5	15	78	90	108	130	60	M12	3.5
06 201 007	KSE 27-SPB	1	5 300	800	65	66.5	19	78	125	108	130	36	M12	4.2
06 201 008	KSE 27-SPB	2	5 300	800	65	68	19	78	125	108	130	55	M12	5.7
06 201 009	KSE 38-SPB	3	4 000	1 500	87.5	94	19	95	125	140	175	63	M16	8.1