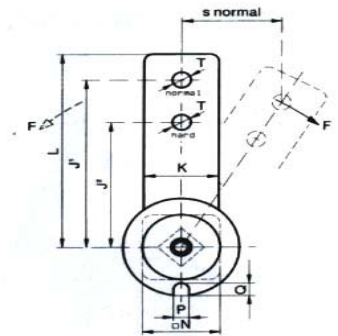
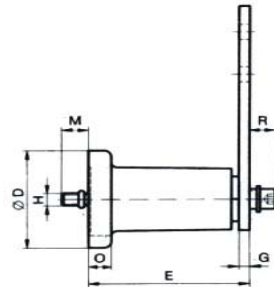
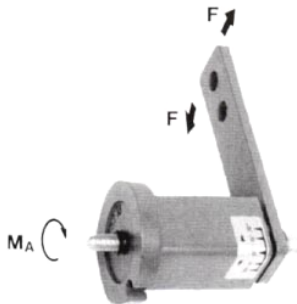


Tensioner Device

Type SE-F/SEI

Front Mounting



Technical Data

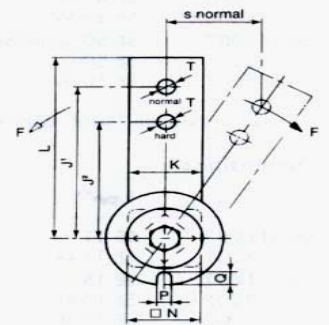
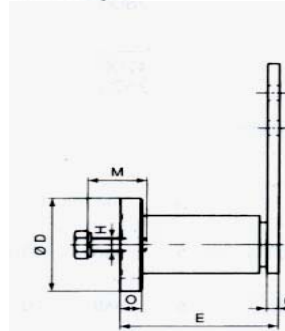
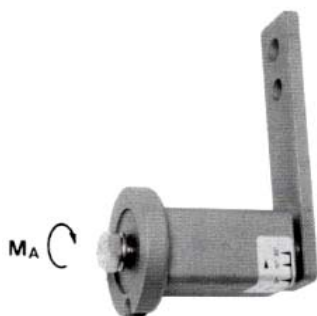
Art. No.	Type	F max.* in N of position normal (J')	s max. in mm normal	Torque MA in Nm	Weight in kg
06061002	SE-F 15	135	50	17	0.40
06061003	SE-F 18	350	50	41	0.65
06061004	SE-F 27	800	65	83	1.85
06061005	SE-F 38	1500	87.5	145	3.70
06061006	SE-F 45	2600	112.5	355	6.90
06061007	SE-F 50	4200	125	690	10.10

*F max. in position "hard" approx. 25% higher

Dimensions

Art. No.	Type	D	E	G	H	J'	J''	K	L	M	N	O	P	Q	R	T
06061002	SE-F 15	45	64 ^{+0.5}	5	M6	100	80	25	112.5	12.4	30	8	8.5	6	10	10.5
06061003	SE-F 18	58	79 ^{+1.5}	7	M8	100	80	30	115	18.9	35	10.5	8.5	8	12	10.5
06061004	SE-F 27	78	108 ^{+2.5}	8	M10	130	100	50	155	17.5	52	15	10.5	10	16	12.5
06061005	SE-F 38	95	140 ^{+3.5}	10	M12	175	140	60	205	18.0	66	15	12.5	12	19	20.5
06061006	SE-F 45	115	200 ⁺⁵	12	M16	225	180	70	260	33.0	80	18	12.5	12	27	20.5
06061007	SE-F 50	130	210 ⁺⁷	20	M20	250	200	80	290	23.0	78	20	17	17	28	20.5

ROSTA Tensioner Device Type SEI (Stainless Steel)



Technical Data

Art. No.	Type	F max.* in N of position normal (J')	s max. in mm normal	Torque MA Nm	Weight in kg
06071111	SEI 15	150	50	25	0.35
06071112	SEI 18	400	50	49	0.70
06071113	SEI 27	860	65	86	1.92
06071104	SEI 40	1500	87.5	210	4.29

*F max. in position "hard" approx. 25% higher

Dimensions

Art. No.	Type	D	E	G	H	J'	J''	K	L	M	N	O	P	Q	T
06071111	SEI 15	45	64	5	M 8	100	80	25	112.5	25	30	8	8.5	6	10.5
06071112	SEI 18	58	79	7	M10	100	80	30	115	30	35	10.5	8.5	8	10.5
06071113	SEI 27	78	108	8	M12	130	100	50	155	40	52	15	10.5	10	12.5
06071104	SEI 40	100	140	10	M16	175	140	70	205	40	70	15	12.5	12	20.5