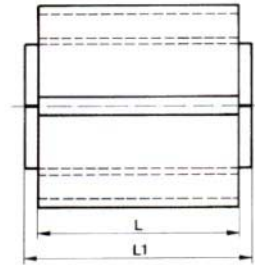
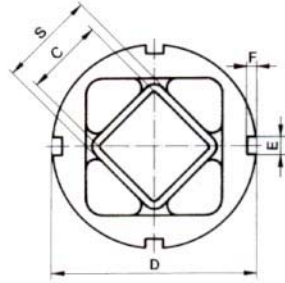
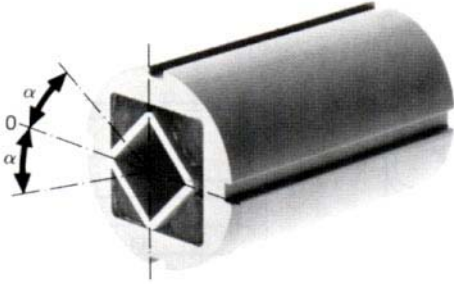


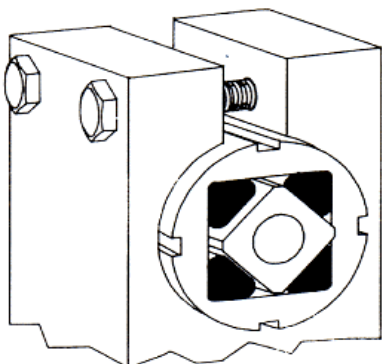
## Rubber Suspension Unit

## Type DK-S



Art. No.	Type	L	L1-0.3	C*	D**	E	F	S	Torque M in Nm at $\alpha$						Weight in kg
									5°	10°	15°	20°	25°	30°	
01 081 001	DK-S 11 x 20	20	25	8 <sup>+0.25</sup>	28 <sup>+0.3</sup>	4	2.5	11	0.3	0.8	1.3	2.0	2.9	4.0	0.03
01 081 002	DK-S 11 x 30	30	35	8 <sup>+0.25</sup>	28 <sup>+0.3</sup>	4	2.5	11	0.4	1.2	2.0	3.1	4.3	6.0	0.05
01 081 003	DK-S 11 x 50	50	55	8 <sup>+0.25</sup>	28 <sup>+0.3</sup>	4	2.5	11	0.7	2.0	3.4	5.1	7.2	10.0	0.07
01 081 004	DK-S 15 x 25	25	30	11 <sup>+0.25</sup>	36 <sup>+0.3</sup>	5	2.5	15	0.7	1.6	2.6	4.0	5.7	8.2	0.06
01 081 005	DK-S 15 x 40	40	45	11 <sup>+0.25</sup>	36 <sup>+0.3</sup>	5	2.5	15	1.1	2.5	4.2	6.4	9.2	13.2	0.10
01 081 006	DK-S 15 x 60	60	65	11 <sup>+0.25</sup>	36 <sup>+0.3</sup>	5	2.5	15	1.6	3.8	6.3	9.6	13.8	19.8	0.14
01 081 007	DK-S 18 x 30	30	35	12 <sup>+0.25</sup>	45 <sup>+0.4</sup>	5	2.5	18	1.9	4.5	7.5	11.0	15.0	20.6	0.13
01 081 008	DK-S 18 x 50	50	55	12 <sup>+0.25</sup>	45 <sup>+0.4</sup>	5	2.5	18	3.2	7.5	12.5	18.3	25.0	34.4	0.20
01 081 009	DK-S 18 x 80	80	85	12 <sup>+0.25</sup>	45 <sup>+0.4</sup>	5	2.5	18	5.1	12.0	20.0	29.3	40.0	55.0	0.33
01 081 010	DK-S 27 x 40	40	45	22 <sup>+0.25</sup>	62 <sup>+0.5</sup>	6	3	27	4.7	10.7	17.5	26.9	39.5	57.0	0.27
01 081 011	DK-S 27 x 60	60	65	22 <sup>+0.25</sup>	62 <sup>+0.5</sup>	6	3	27	7.0	16.0	26.3	40.3	59.3	85.5	0.40
01 081 012	DK-S 27 x 100	100	105	22 <sup>+0.25</sup>	62 <sup>+0.5</sup>	6	3	27	11.7	26.7	43.8	67.2	98.8	142.5	0.66
01 081 013	DK-S 38 x 60	60	70	30 <sup>+0.25</sup>	80 <sup>+0.4</sup>	7	3.5	38	13.0	30.4	50.6	78.0	113.0	162.0	0.72
01 081 014	DK-S 38 x 80	80	90	30 <sup>+0.25</sup>	80 <sup>+0.4</sup>	7	3.5	38	17.3	40.5	67.5	104.0	151.0	216.0	0.94
01 081 015	DK-S 38 x 120	120	130	30 <sup>+0.25</sup>	80 <sup>+0.4</sup>	7	3.5	38	26.0	60.8	101.2	156.0	226.0	324.0	1.37
01 081 016	DK-S 45 x 80	80	90	35 <sup>+0.25</sup>	95 <sup>+0.8</sup>	8	4	45	27.6	62.4	104.0	160.0	222.0	320.0	1.35
01 081 017	DK-S 45 x 100	100	110	35 <sup>+0.25</sup>	95 <sup>+0.8</sup>	8	4	45	34.5	78.0	130.0	200.0	278.0	400.0	1.65
01 081 018	DK-S 45 x 150	150	160	35 <sup>+0.25</sup>	95 <sup>+0.8</sup>	8	4	45	51.8	117.0	195.0	300.0	420.0	600.0	2.44
01 081 019	DK-S 50 x 120	120	130	40 <sup>+0.25</sup>	108 <sup>+1</sup>	8	4	50	51.0	133.0	250.0	395.0	570.0	780.0	2.55
01 081 020	DK-S 50 x 200	200	210	40 <sup>+0.25</sup>	108 <sup>+1</sup>	8	4	50	102.0	260.0	475.0	745.0	1070.0	1450.0	4.21
01 081 021	DK-S 50 x 300	300	310	40 <sup>+0.25</sup>	108 <sup>+1</sup>	8	4	50	150.0	385.0	700.0	1100.0	1590.0	2160.0	6.45

\* Plug-in connection "inserted" see page 19.



### \*\*Frictional "Fist" Connection on Outer Housing

- Fist로 바깥 사각을 고정
- 바깥면이 원형인 하우징을 바깥에서 고정하려면 BK클램프나 "fist"로 고정한다.
- 하우징 Out. Dia.의 허용 공차와 칠해진 페인트의 두께(40-80 $\mu$ m) 등도 작업 시 고려해야 한다.