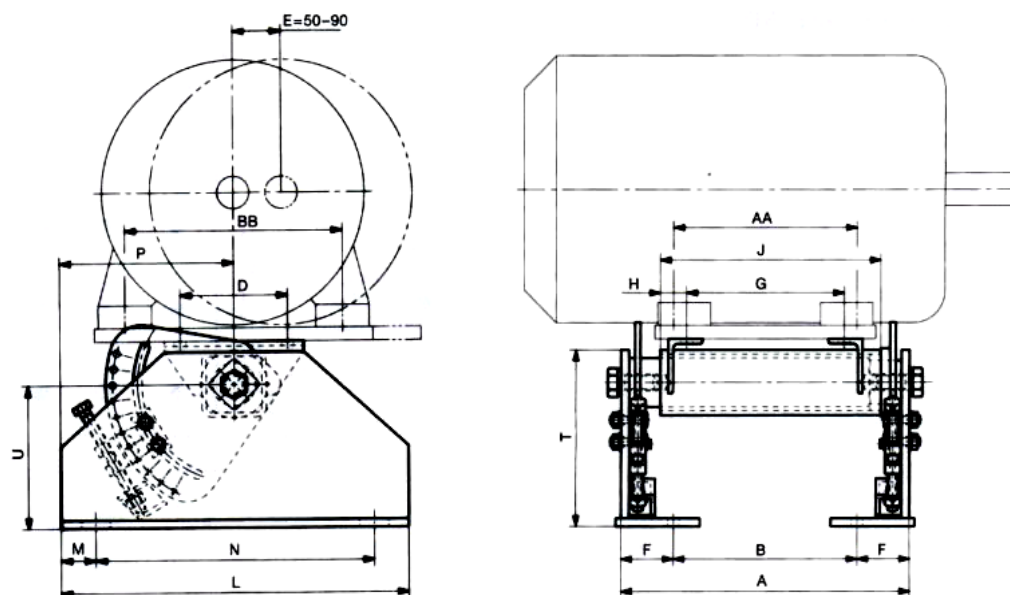


## Motorbase

## Type MB 70



Motorbase Type	Frame size	1000 min <sup>-1</sup>		1500 min <sup>-1</sup>		3000 min <sup>-1</sup> *		AA	BB
		kW	M <sub>d</sub>	kW	M <sub>d</sub>	kW	M <sub>d</sub>		
MB 70 x 400	D 250M	37	353Nm	55	350Nm	55	175Nm	349	406
MB 70 x 550	D 280S	45	429Nm	75	477Nm	75	238Nm	368	457
	D 280M	55	525Nm	90	573Nm	90	286Nm	419	457
MB 70 x 650	D 315S	75	716Nm	110	700Nm	110	350Nm	406	508

### Overall Dimensions

(Details see drawing ROSTA assembling kits MB 70)

Motorbase Type	Dimensions in mm												
	A	B	D	F	G	H	J	L	M	N	P	T	U
MB 70 x 400	550	350	200	100	300	50	420	650	65	520	325	325	265
MB 70 x 550	700	500	200	100	360	95	570	650	65	520	325	325	265
MB 70 x 650	800	600	200	100	380	135	670	650	65	520	325	325	265

### Torque Values of the ROSTA Motorbases

Motorbase Type	Torque in Nm on rubber suspension by pretension of:					
	5°	10°	15°	20°	25°	30°
MB 70 x 400	250	765	1315	2160	3175	4750
MB 70 x 550	345	1050	1800	2970	4365	6530
MB 70 x 650	405	1240	2135	3510	5160	7720